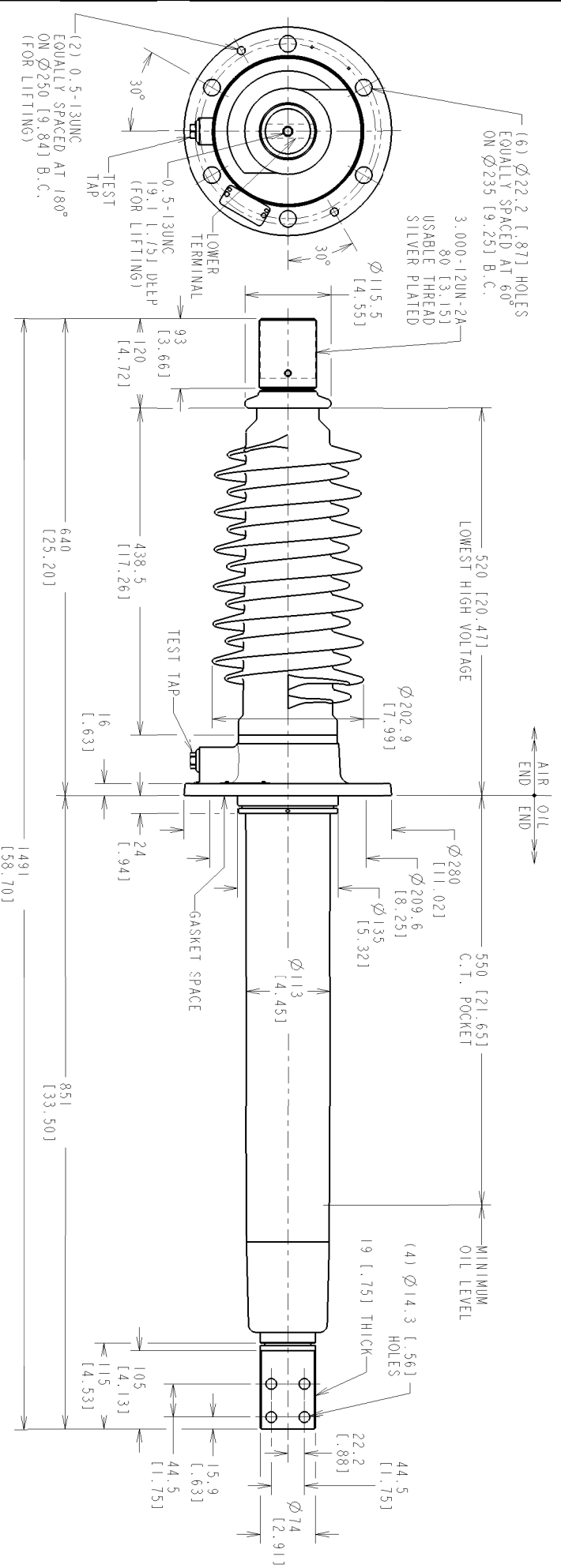


SILICONE RUBBER COLOR: GRAY
SPECIAL FEATURES: NONE



STYLE NUMBER	INSULATION CLASS kV	BASIC IMPULSE LEVEL kV	MAX. LINE TO GROUND VOLTAGE kV	CONNECTION METHOD AND CONTINUOUS CURRENT A@60Hz		THERMAL CONSTANTS					CREEPAGE DISTANCE		MINIMUM ARCING DISTANCE		MAX. CONTINUOUS CANTILEVER LOAD N / [lbf]	MOUNTING ANGLE FROM VERTICAL deg	APPROX. WEIGHT kg / [lb]	
				DRAW-LEAD	TRANS.	K1	K2	n	τ	NOMINAL	MINIMUM	MINIMUM	ARCING	MAXIMUM ALTITUDE m / [ft]				OUTBOARD
034N3000AA	34.5	200	22	N/A	3000	N/A	20.8	0.92	2.1	38	1056 [41.6]	1024 [40.3]	438.5 [17.26]	3048 [10000]	1575 [354]	667 [150]	0 TO 90	36.8 [81]

REVISIONS		NO. & LOC.
I	-ACTIVE-NEW ISSUE W.A.SHINER 12-23-14	
A	-ACTIVE-THERMAL CONSTANTS VALUES ADDED. W.A.SHINER 2-11-16 L.ELDER 2-11-16	A

TITLE: TYPE O Plus Dry™, IEEE, CONDENSER BUSHING		DRAWING NO.: T034N3000AA	
RESP. DEPT.:	BUSHINGS	REF.:	
DFT.:	W.A.SHINER	23-Dec-14	UNITS = mm/[in]
CHKD.:	L.ELDER	1-09-15	SCALE = 0.250
APPD.:	L.ELDER	1-09-15	LANG. = ENGLISH
		REV.:	A
		SHEET 1 OF 1	

ABB Inc.
ALAMO, TN U.S.A.