

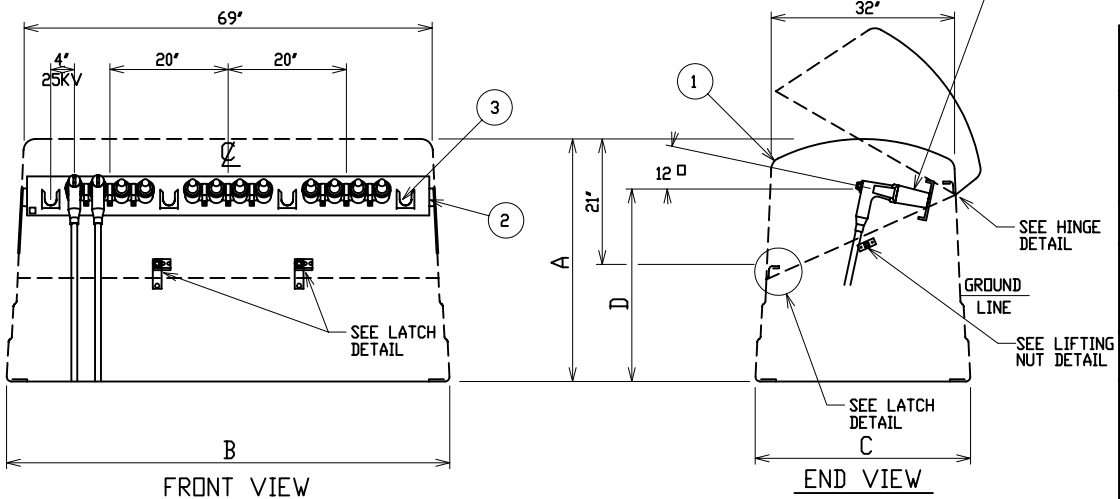
LIFTING NUT DETAIL
(TOP CLOSED)
TWO PLACES

LATCH DETAIL

HINGE DETAIL
(TOP CLOSED)

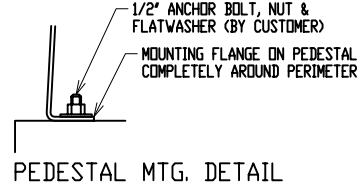
HINGE DETAIL
(TOP OPEN)

PAD & ANCHOR BOLT DETAIL
ANCHOR BOLTS TO BE 1/2" DIA. AND TO EXTEND 1-1/2" MINIMUM ABOVE PAD

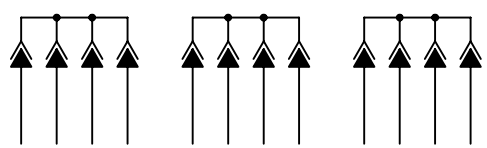


FRONT VIEW

END VIEW



PEDESTAL MTG. DETAIL



SCHEMATIC

MODEL No.	OVERALL HEIGHT	OVERALL WIDTH AT BOTTOM	OVERALL DEPTH AT BOTTOM	JUNCTION TERMINAL HEIGHT
	A	B	C	D
CJPF-42-30	30"	73.1/4"	37.1/2"	21.1/2"
CJPF-42-41	41"	75.1/2"	39.3/4"	32.1/2"

MATERIAL LIST - STANDARD UNIT	
ITEM	DESCRIPTION
1	POWER DESIGN INC MODEL NO CJPF-42 FIBERGLASS CABLE JUNCTION PEDESTAL - MUNSELL GREEN
2	ALUMINUM JUNCTION MOUNTING BAR AND MOUNTING CLIPS
3	STAINLESS STEEL PARKING CLIPS

OPTIONAL EQUIPMENT	
51	200 AMP LOADBREAK JUNCTION - 15/25KV - 95/125KV BIL SPECIFY VOLTAGE, MANUFACTURER AND 2,3 OR 4-WAY

NOTE:

1. ORDERING INFORMATION:
USER SHOULD SELECT "D", TERMINAL HEIGHT, DESIRED. SPECIFY "A", OVERALL HEIGHT, AS A SUFFIX TO THE BASIC PART NO. i.e.; CJPF-42-30 = 30" OVERALL HEIGHT

2. MATERIAL:

- FIBERGLASS LAMINATE 3/16" NOMINAL THICKNESS
- EXTERIOR UV STABILIZED GELCOAT - 14 MIL NOMINAL THICKNESS - WHITE INTERIOR
- FIRE RETARDANT - DOES NOT SUPPORT COMBUSTION
- STAINLESS STEEL HARDWARE

3. MOUNTING BAR WILL WITHSTAND A MINIMUM 400 LB. LOADING TO INSTALL OR REMOVE ELBOWS.

DEADFRONT CABLE JUNCTION PEDESTAL			
15/25KV	200 AMP	95/125KV BIL	
THREE PHASE		2,3 OR 4-WAY LOADBREAK JUNCTION	



DRAWN: RB	PAGE	DATE: 3-29-04	DRAWING NO.: 3383-R1
-----------	------	---------------	----------------------

FILE REF: