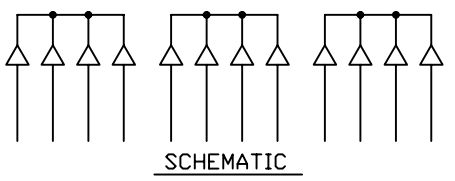
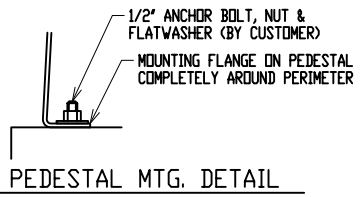
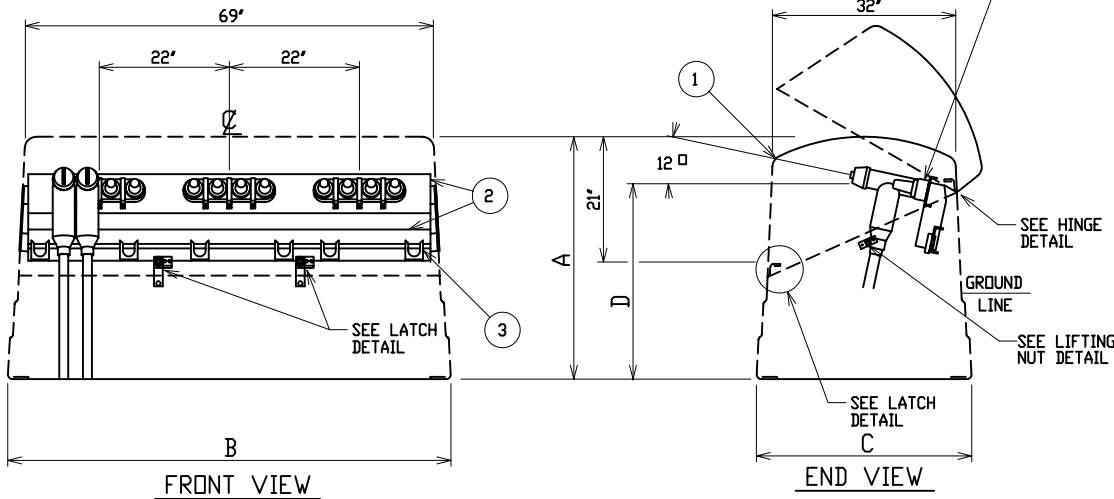


LIFTING NUT DETAIL
 (TOP CLOSED)
 TWO PLACES



MODEL No.	OVERALL HEIGHT	OVERALL WIDTH AT BOTTOM	OVERALL DEPTH AT BOTTOM	JUNCTION TERMINAL HEIGHT
	A	B	C	D
CJPF-41-30	30'	73.1/4'	37.1/2'	22'
CJPF-41-41	41'	75.1/2'	39.3/4'	33'

MATERIAL LIST - STANDARD UNIT	
ITEM	DESCRIPTION
1	POWER DESIGN INC MODEL NO CJPF-41 FIBERGLASS CABLE JUNCTION PEDESTAL - MUNSELL GREEN
2	ALUMINUM JUNCTION MOUNTING BAR AND PARKING CLIP MOUNTING RAILS
3	ADJUSTABLE LOCATION STAINLESS STEEL PARKING CLIPS
OPTIONAL EQUIPMENT	
51	600 AMP DEADBREAK JUNCTION - 15/25KV - 95/125KV BIL SPECIFY VOLTAGE, MANUFACTURER AND 2, 3 OR 4-WAY

NOTE:

- ORDERING INFORMATION:**
 USER SHOULD SELECT "D", TERMINAL HEIGHT, DESIRED. SPECIFY "A", OVERALL HEIGHT, AS A SUFFIX TO THE BASIC PART NO. i.e., CJPF-41-30 = 30" OVERALL HEIGHT
- MATERIAL:**
 - FIBERGLASS LAMINATE 3/16" NOMINAL THICKNESS
 - EXTERIOR UV STABILIZED GELCOAT - 14 MIL NOMINAL THICKNESS - WHITE INTERIOR
 - FIRE RETARDANT - DOES NOT SUPPORT COMBUSTION
 - STAINLESS STEEL HARDWARE
- MOUNTING BAR WILL WITHSTAND A MINIMUM 400 LB. LOADING TO INSTALL OR REMOVE ELBOWS.

DEADFRONT CABLE JUNCTION PEDESTAL
 15/25KV 600 AMP 95/125KV BIL
 THREE PHASE 2, 3 OR 4-WAY DEADBREAK JUNCTION



DRAWN: RB	PAGE	DATE 3-29-04	DRAWING NO. 3391-R1
--------------	------	-----------------	------------------------

FILE REF: